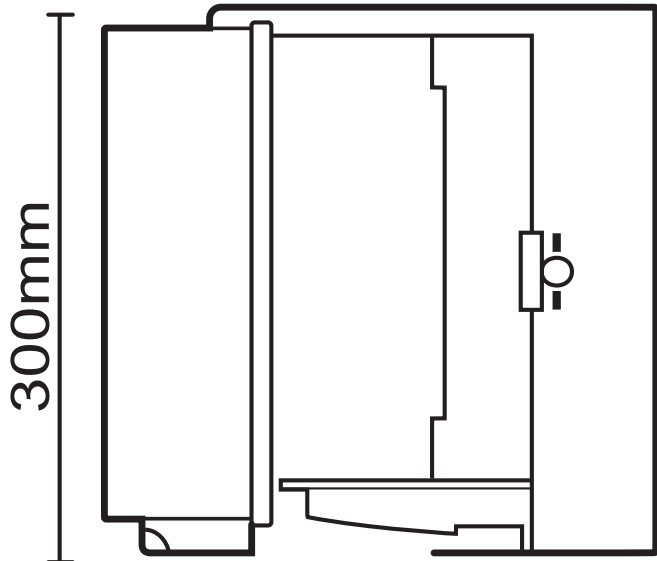
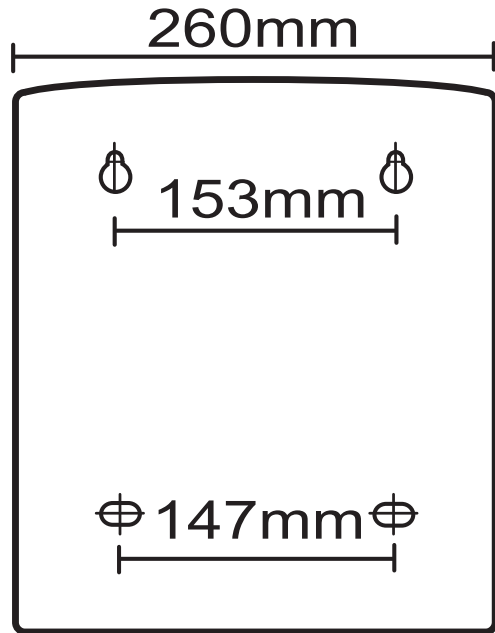
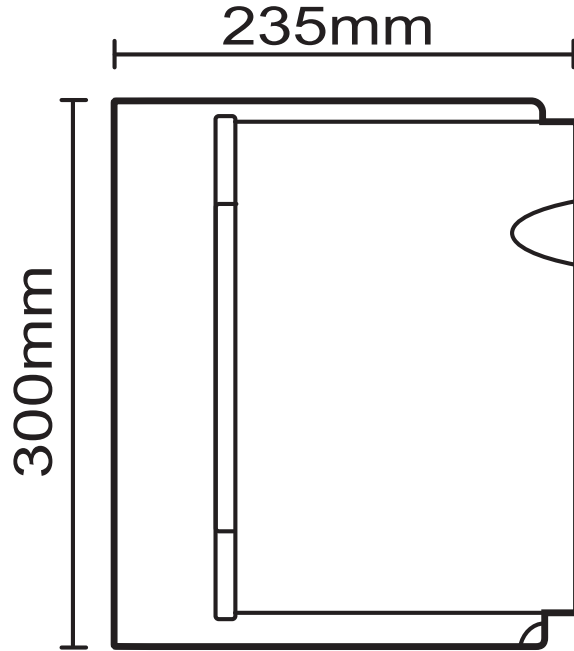
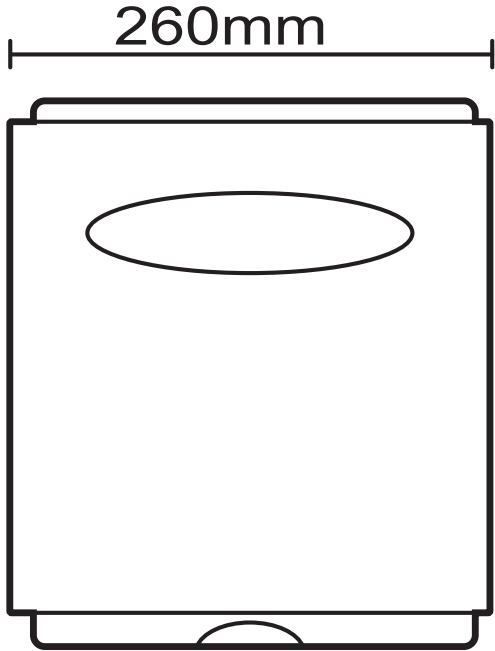


Code: 09989 Roll Control Dispenser



Suits WYPALL* code 94125, 94126.