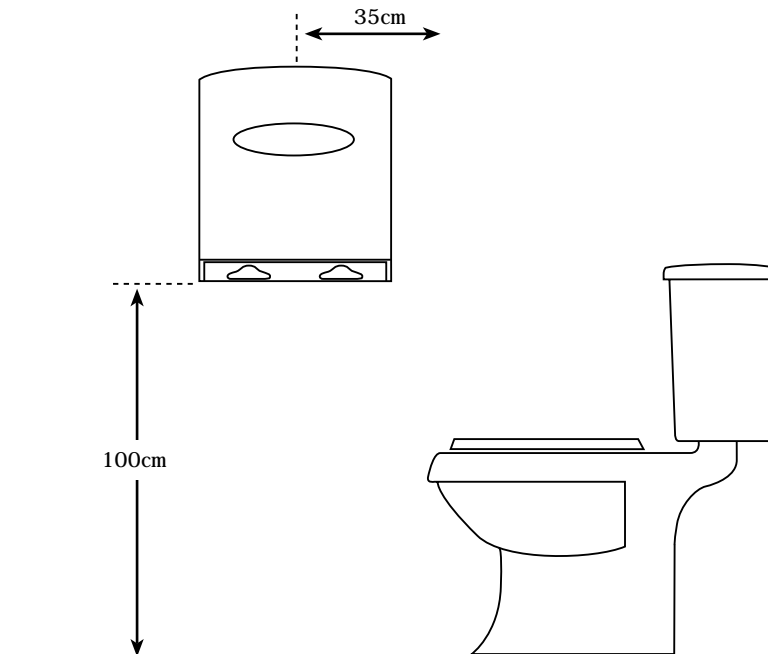


Installation Guide - Code 4437

Soft Interleaved Toilet Tissue Double Dispenser

1
diagram



1. 4 screws and 4 plugs are enclosed.
2. Use an appropriate 6mm drill bit in conjunction with the enclosed wall plugs for masonry walls.
3. If plugs are not to be used then choose an appropriate size drill bit.
4. Using mounting template on box, mount the dispenser with bottom edge approximately 100cm from the floor and with centreline of dispenser 35cm from front edge of toilet (see diagram 1).
5. Use all mounting screws provided with dispenser as a minimum to attach dispenser to wall.
6. If no mounting template available open dispenser with key and hold squarely against wall while you mark drilling holes (or see diagram 2 for measurements).

2
diagram

