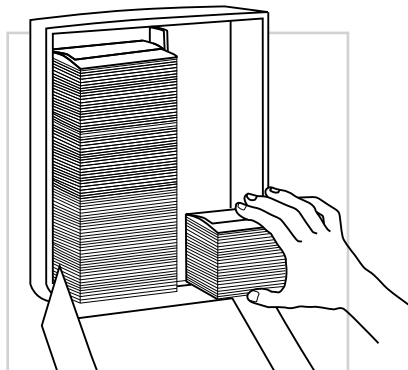
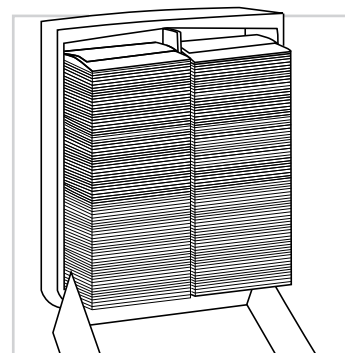


Usage Guide - Soft Interleaved Toilet Tissue Double Dispenser

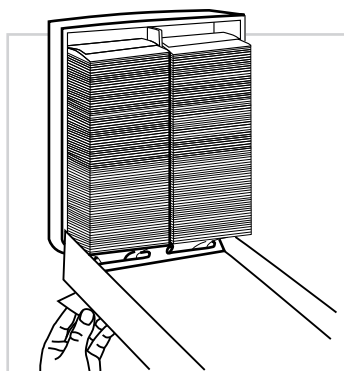
1 How to Load



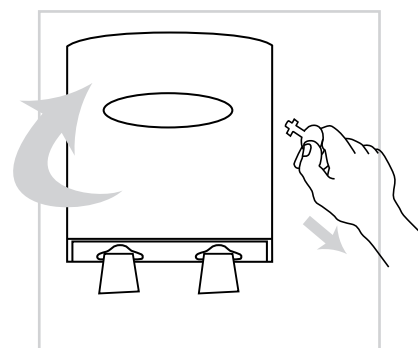
1. Use key to unlock the dispenser and lower front lid.
2. Remove wrapper and insert packs into the dispenser.



3. For best results fill the dispenser until the tissues rest just below the angled top of dispenser.
4. Overfilling will cause the dispenser to jam.

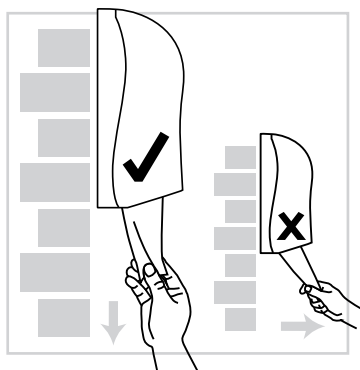


5. Feed first sheet through mouth at bottom of dispenser.



6. Remove key from lock and firmly close front lid.

2 How to Use



1. Always pull tissue straight down. Pulling at an angle will cause tearing.



Kimberly-Clark[®]
Professional