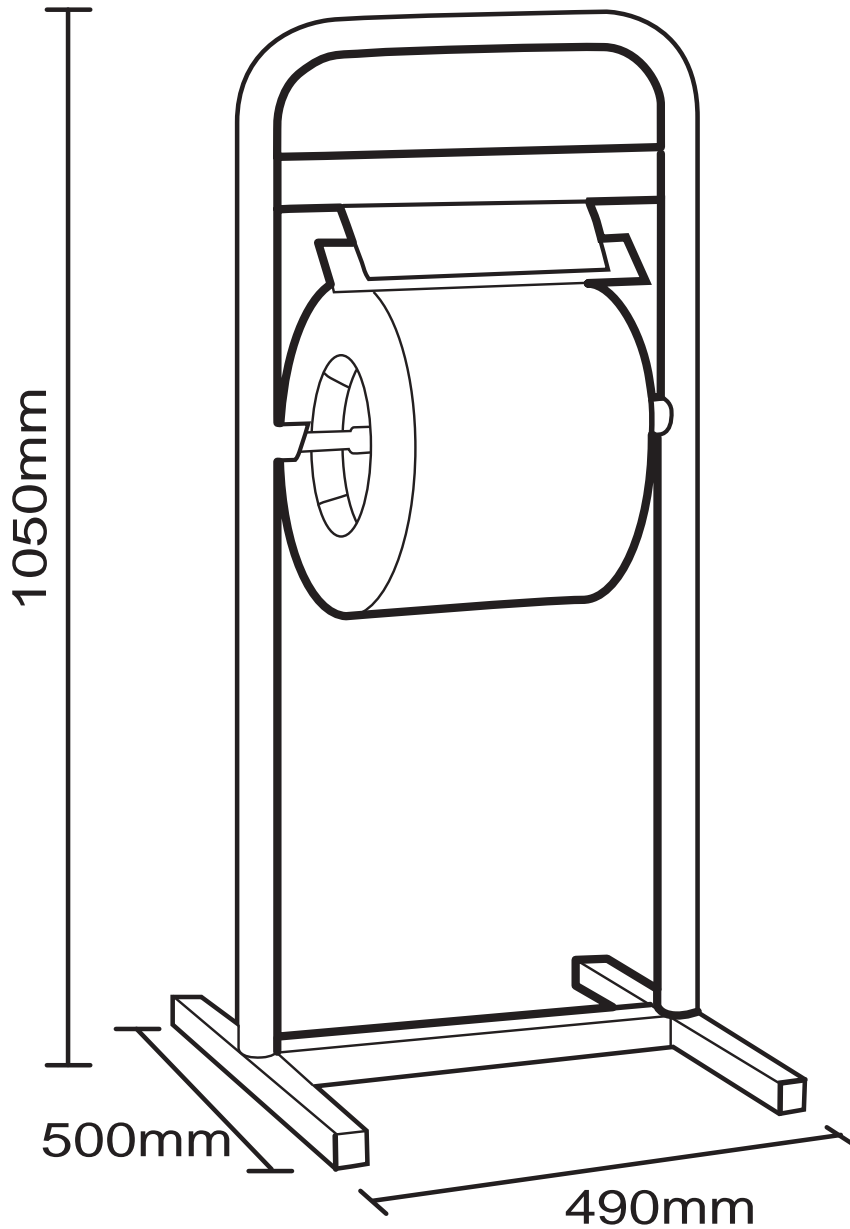


# Code: 4918 Floor Standing Dispenser



Suits WYPALL® L25 code 4181.