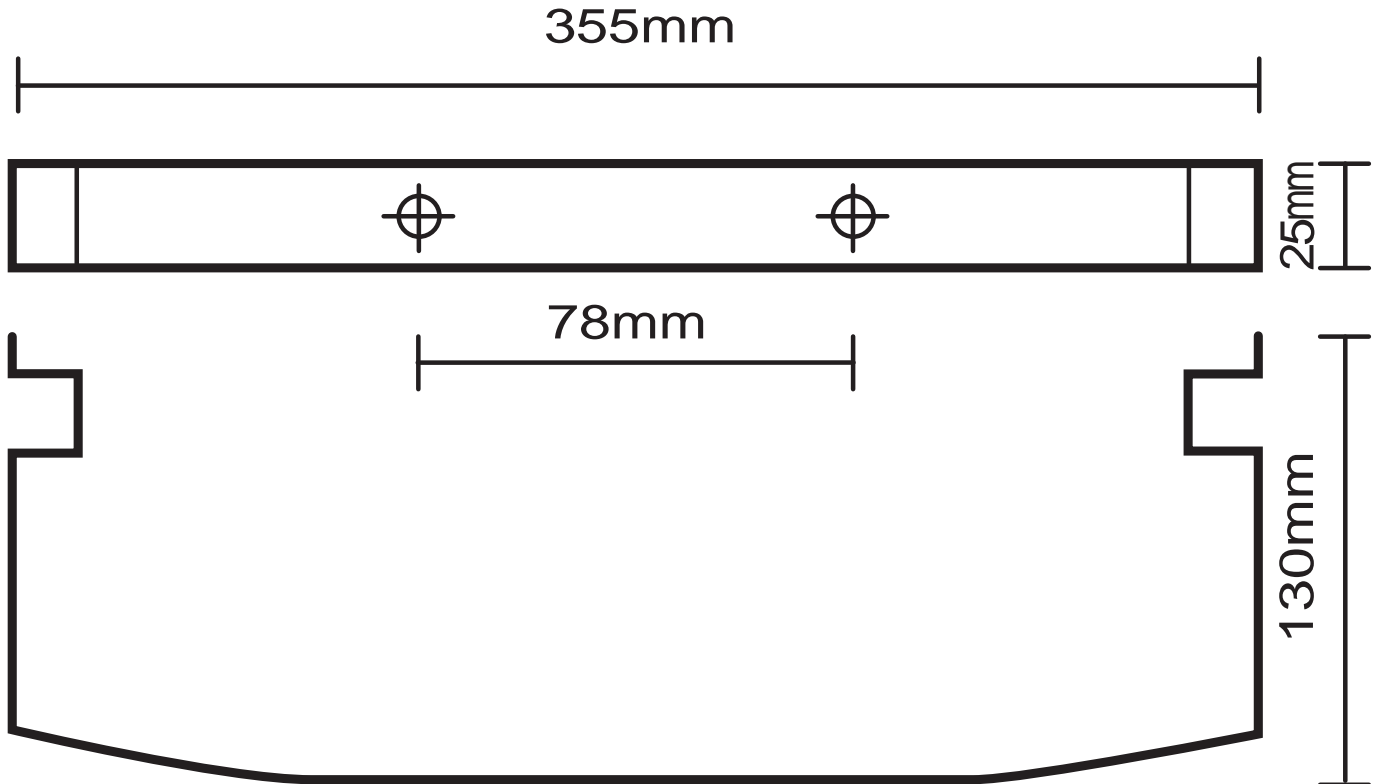


Code: 4926 Dispenser Bracket



Suits WORKFORCE® XTRA codes 94142, 94148,
94152, 94162.