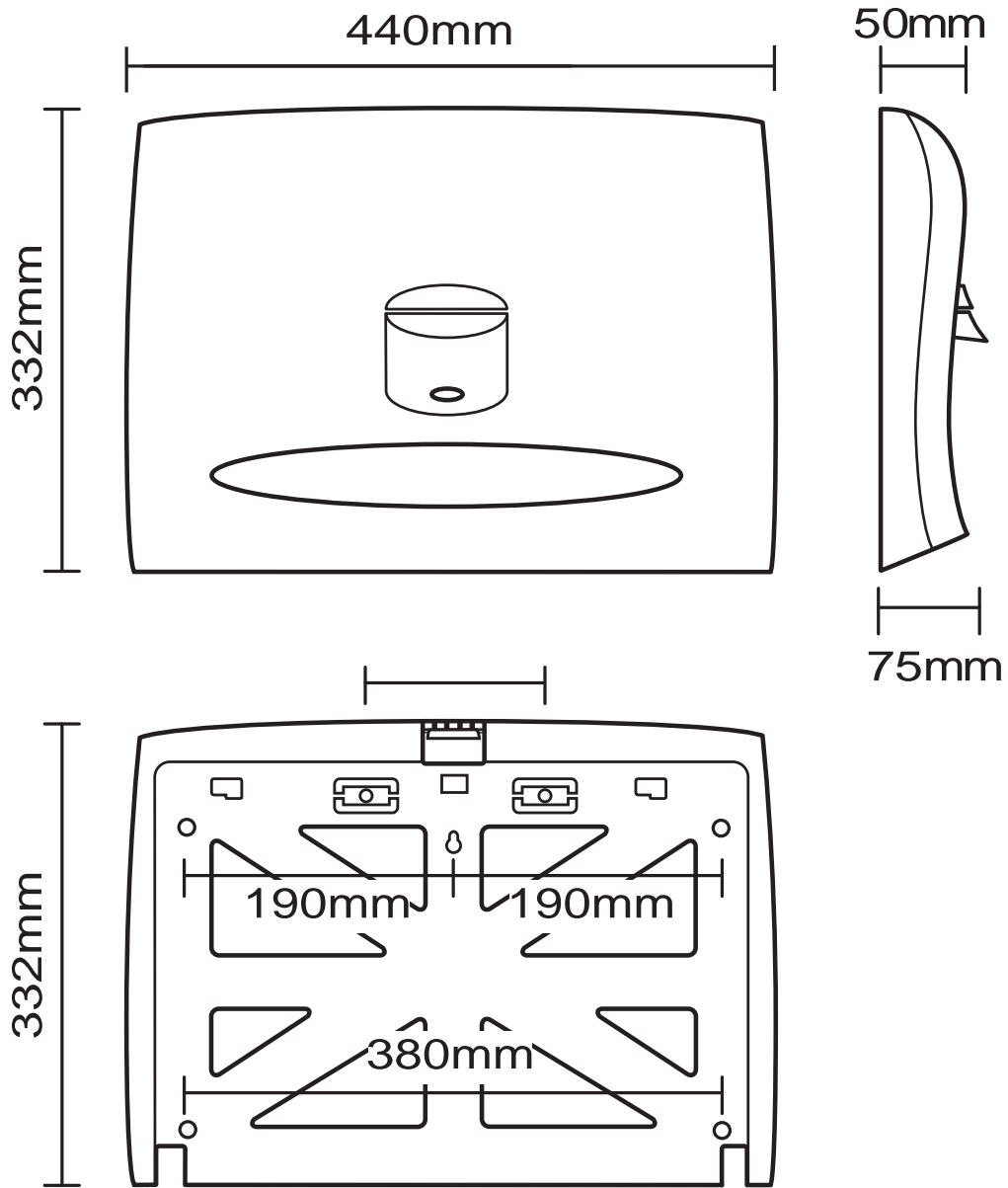


# Code: 4935 Toilet Seat Cover Dispenser



Compatible with 7410.