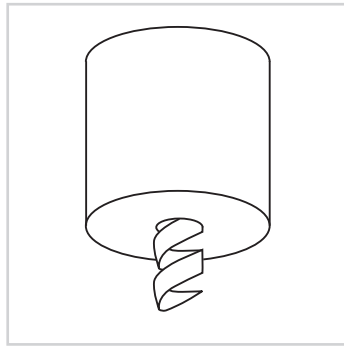
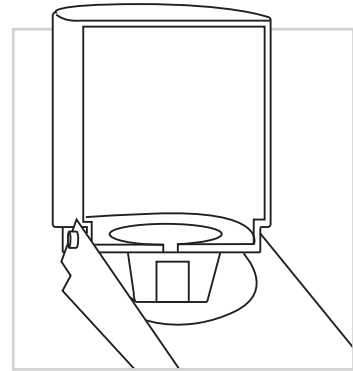


# Usage Guide - WPALL<sup>®</sup> L10 Wipers

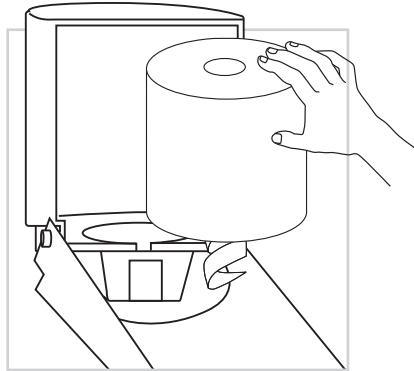
## 1 How to Load



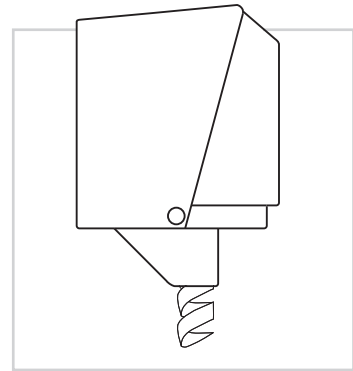
1. Remove core from centre of roll.
2. Pull out a short length of the wiper.



3. Use key to open dispenser door.

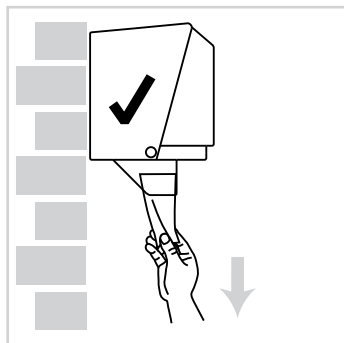


4. Place the roll in the dispenser, threading the wiper through the nozzle.



5. Remove key and firmly close the dispenser lid.
6. Pull wiper down to dispense.

## 2 How to Use



1. Always pull wiper straight down.