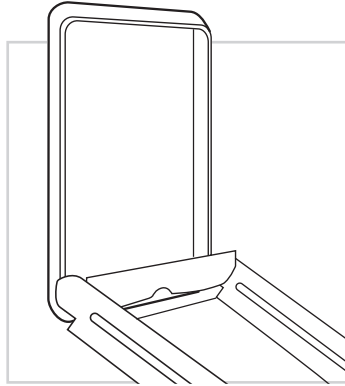
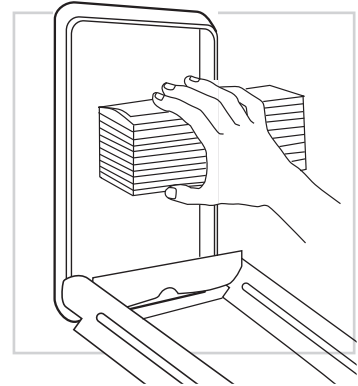


Usage Guide - SCOTT[®] Optimum Towel

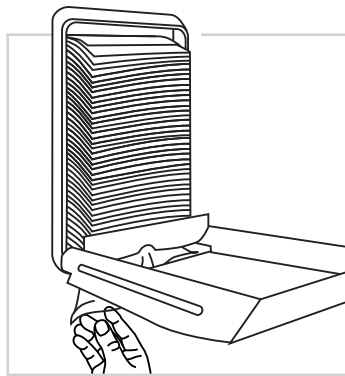
1 How to Load



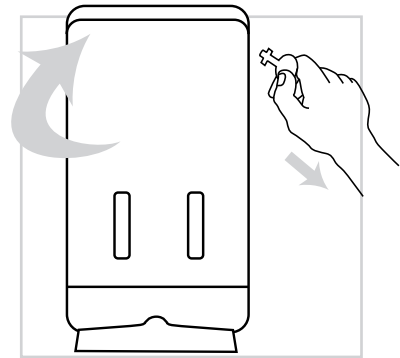
1. Use key to unlock dispenser and lower front lid.
2. Hold towel pack with join in wrapper facing you and arrow pointing up.



3. Remove wrapper and insert pack, ensuring there is at least 10mm of space between the top of the pack and the upper ledge of the dispenser.

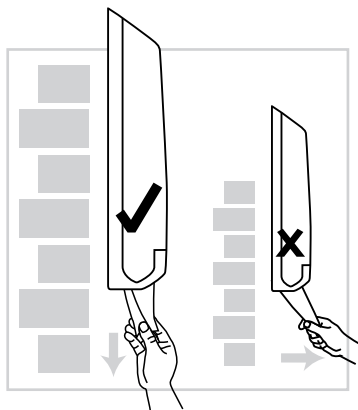


4. Do not compress towels.
5. If empty, feed first sheet through mouth at bottom of dispenser.



6. Remove key from lock and firmly close front lid.

2 How to Use



1. Always pull towels straight down. Pulling at an angle will cause tearing.