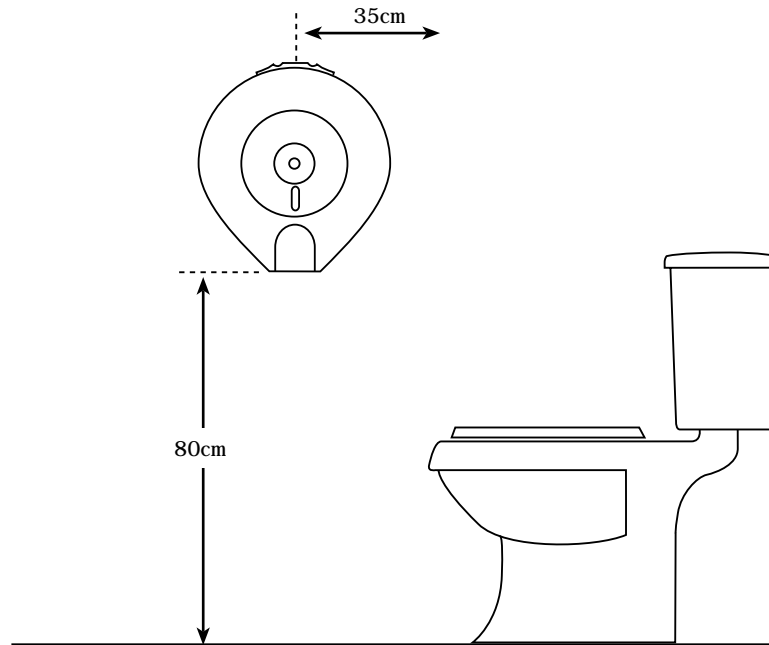


# Installation Guide - Code 4971 & 4972 Jumbo Roll Dispenser

1  
diagram



1. 3 screws and 3 plugs are enclosed.
2. Open dispenser using key provided and mark wall with mounting holes making sure dispenser is square. Mount dispenser with bottom edge approximately 80cm from floor, and with centreline of dispenser 35cm from front edge of toilet (see diagram 1).
3. Use all mounting screws provided with dispenser as a minimum to attach dispenser to wall.

2  
diagram

