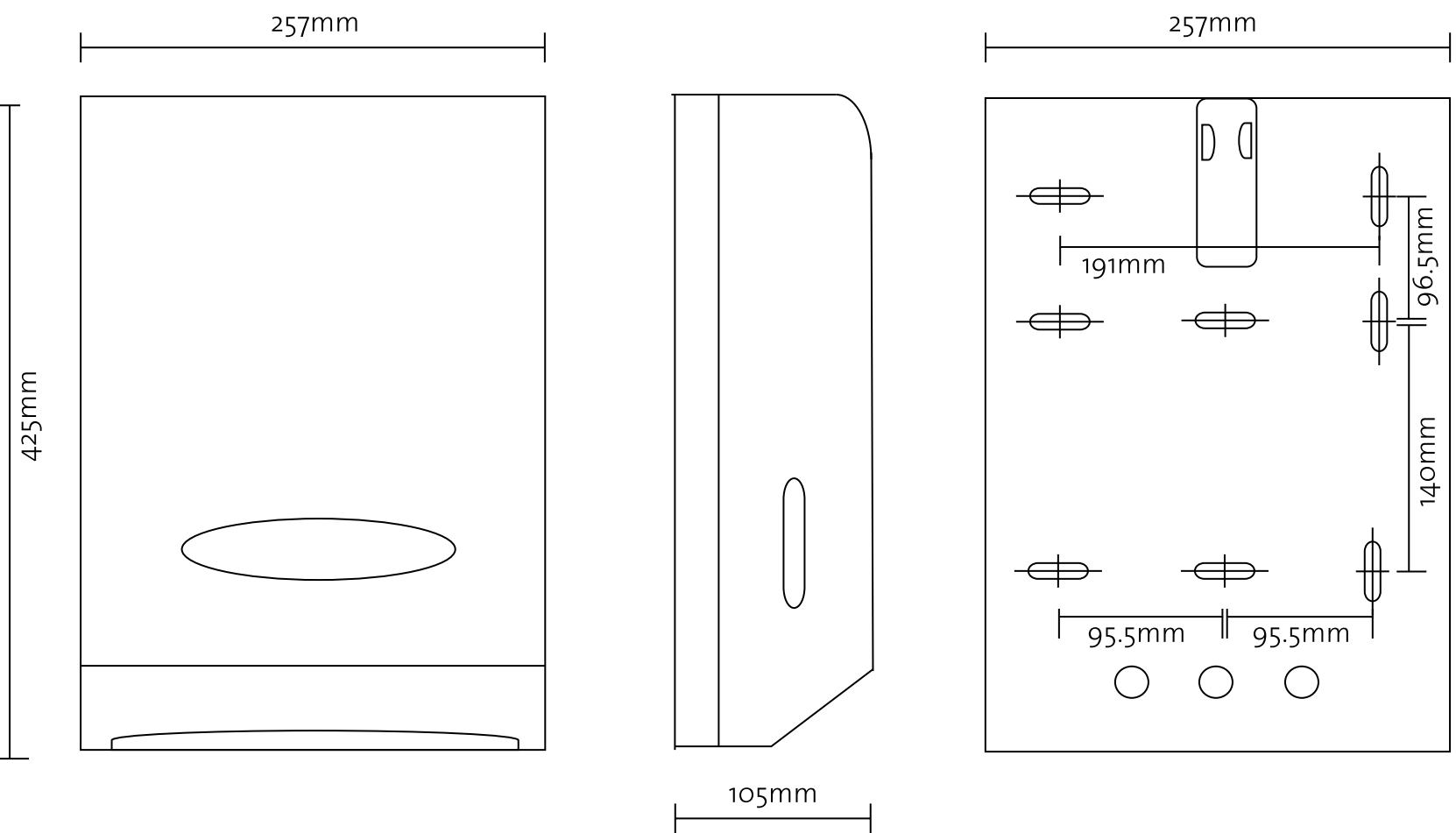


## Code: 49940 ABS Plastic Dispenser



Suits KLEENEX® code 4451, SCOTT\* code 4452.  
WYPALL\* codes 94186, 4208, 4209.