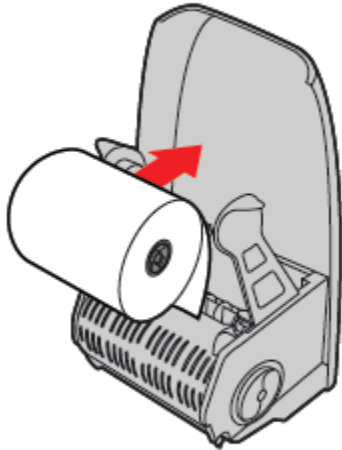
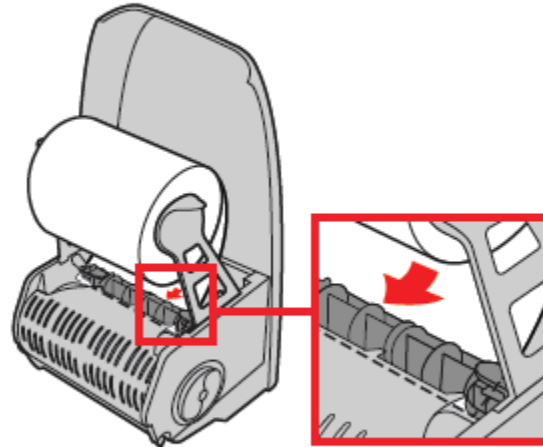


Stub Roll Loading Instructions for WINDOWS* SANITOUCH* Hard Roll Towel Dispenser

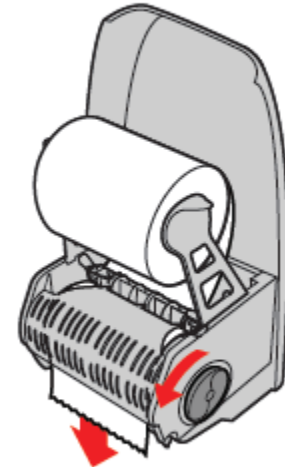
To replace empty roll:



Remove empty roll by gently pulling aside a roll holder arm. Clip new roll in to holder arms with sheet tail facing back of dispenser

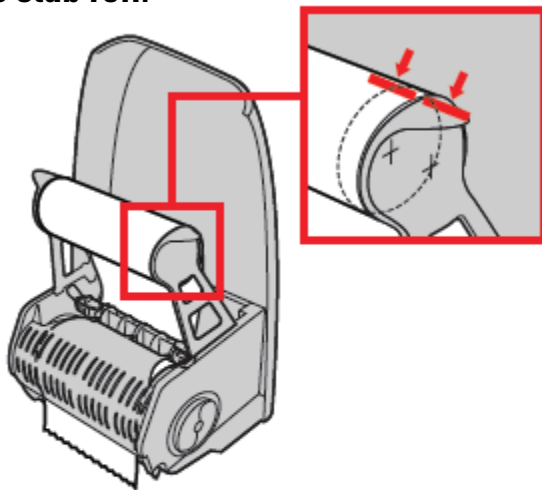


Feed sheet tail underneath the back of the feeding shaft

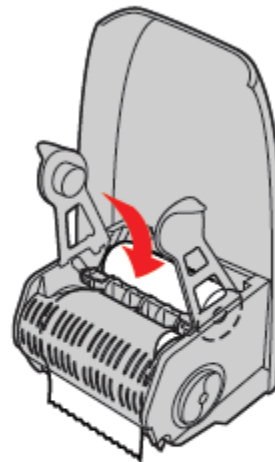


Rotate the emergency feed knob anti-clockwise until the sheet becomes visible beneath mouth of dispenser

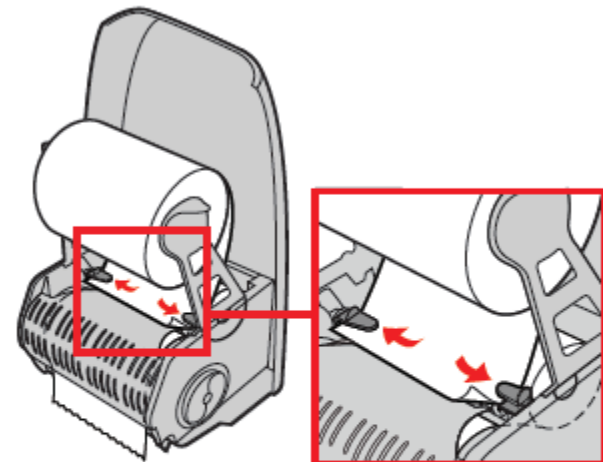
To use stub roll:



Without unthreading, remove the stub roll from the holder arms and ease them slightly forward



Place stub roll in the tray at the back of dispenser



Clip new roll onto the holder arms and place tail sheet underneath the blue clips on top of the feeder shaft