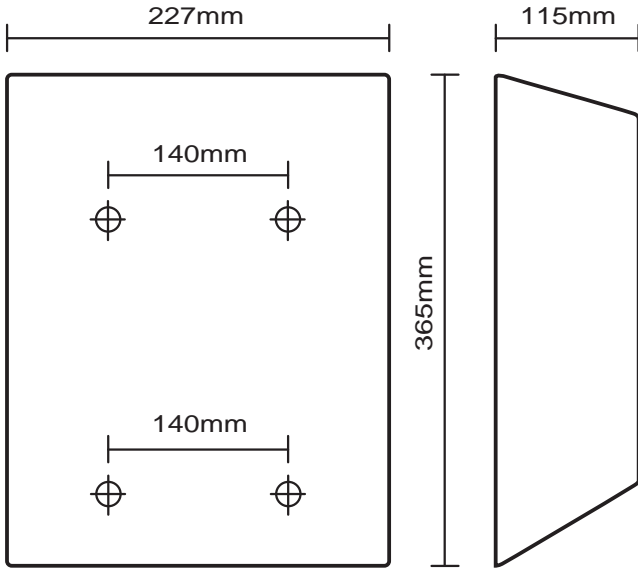
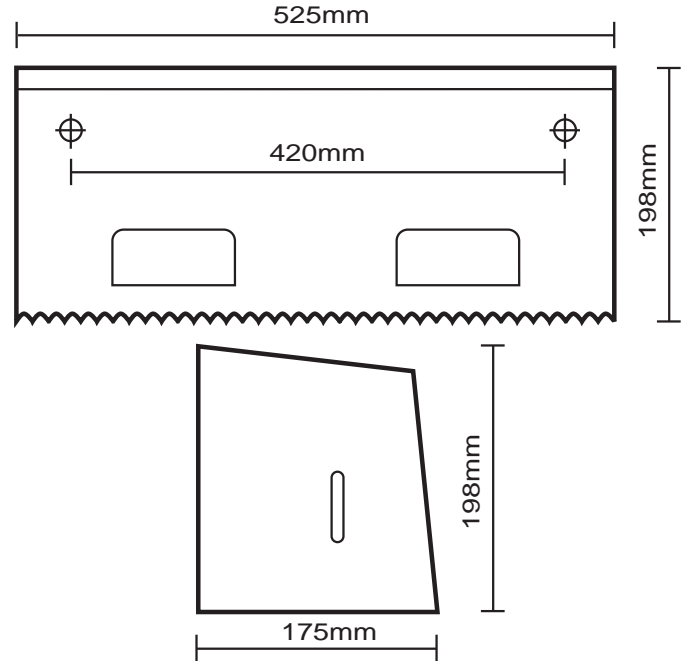


Code: 4904 Workplace Single Sheet Dispenser



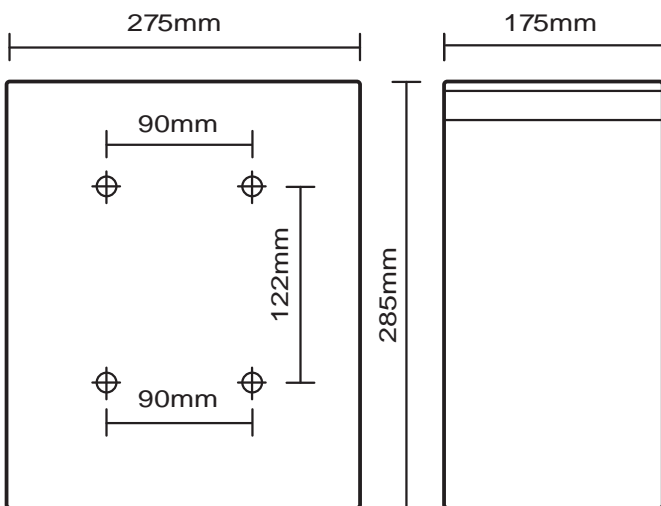
Suits WYPALL® X50 codes 4208, 4209.

Code: 4917 Large Roll Dispenser



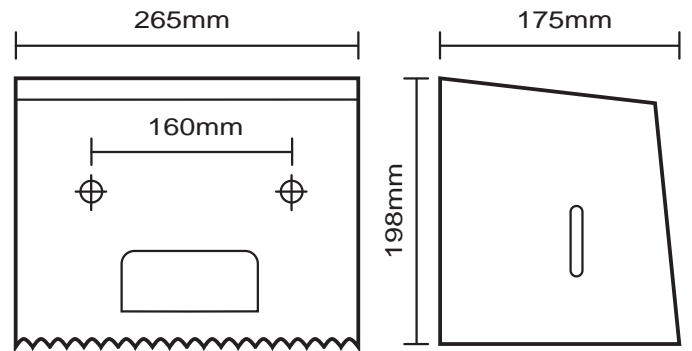
Suits WYPALL® X50 codes 4193, 4197.

Code: 4927 Single Sheet Wall or Bench Dispenser



Suits WYPALL® X50 codes 4199, 4201, 4202.

Code: 4915 Small Roll Dispenser



Suits WYPALL® X50 codes 4194, 4198.