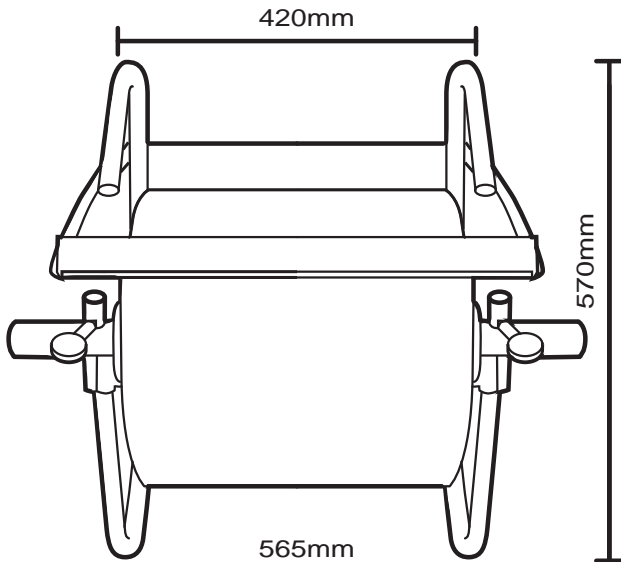




**Kimberly-Clark®**  
Professional

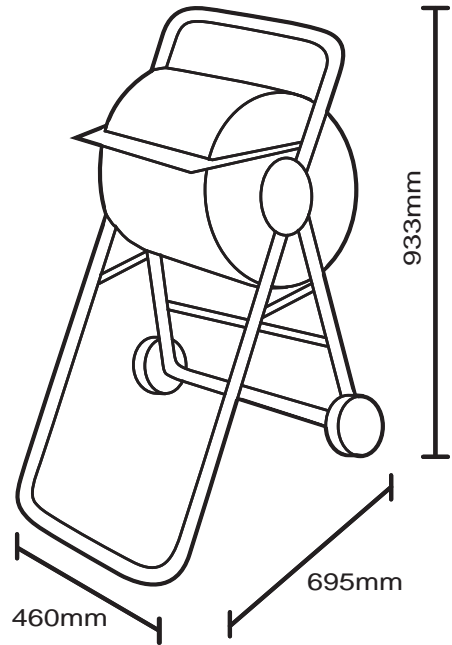
# WYPALL\* X70/X80 Dispensers

**Code: 4951** Wall Mounted Jumbo Roll Dispenser



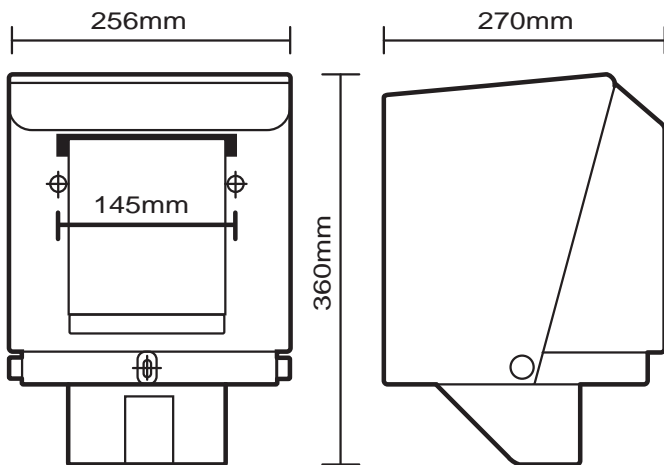
Suits WYPALL\* X80 code 4173.

**Code: 4905** Jumbo Roll Dispenser



Suits WYPALL\* X80 code 4173.

**Code: 4940** Centrefeed Dispenser



Suits WYPALL\* codes 94120-00, 94121-00,  
94122-00, 94124-00, 4178.