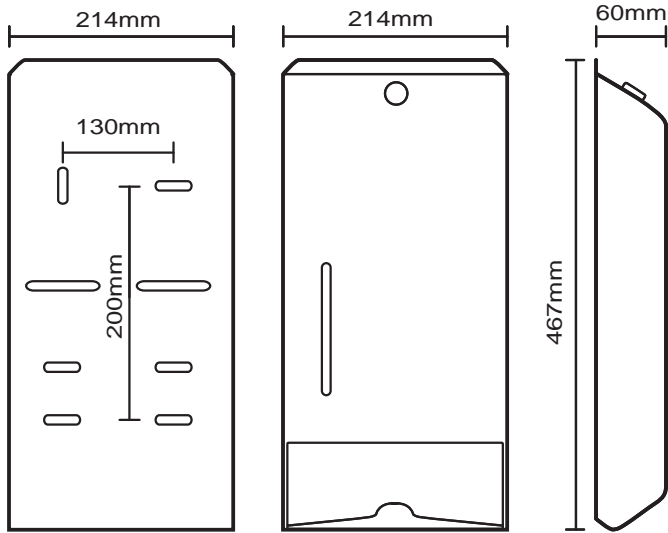


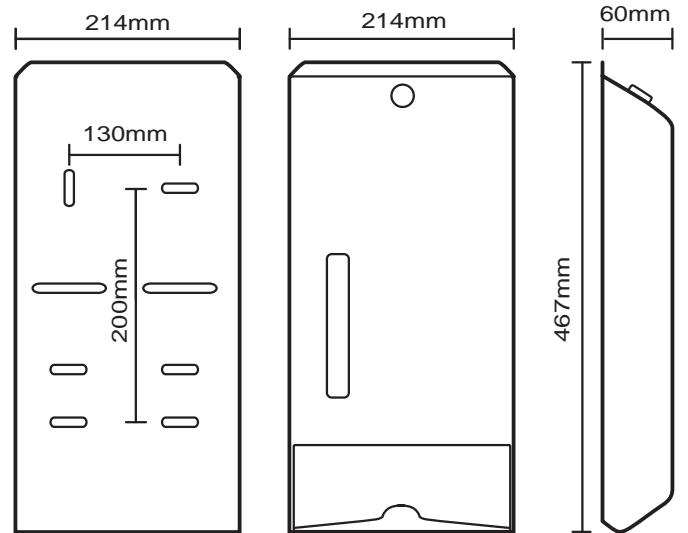


Code: 4969 Compact Towel Dispenser



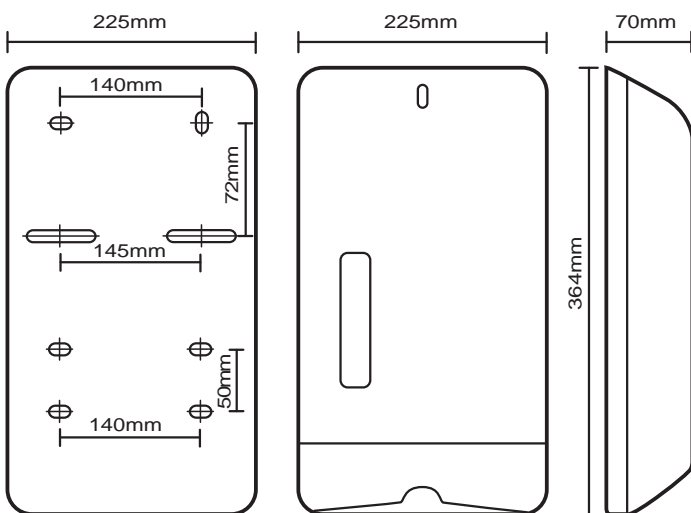
Suits SCOTT® codes 4440, 4443, 4444,
COSTSAVER® code 5855.

Code: 4970 Compact Towel Dispenser



Suits SCOTT® codes 4440, 4443, 4444,
COSTSAVER® code 5855.

Code: 4980 Compact Towel Dispenser



Suits SCOTT® codes 4440, 4443, 4444,
COSTSAVER® code 5855.