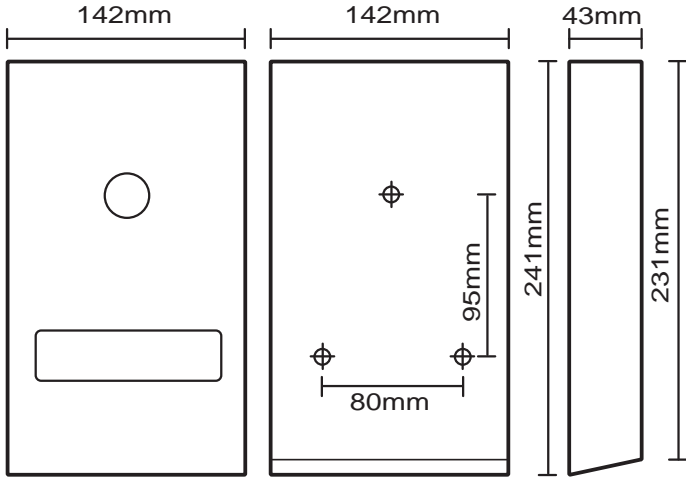
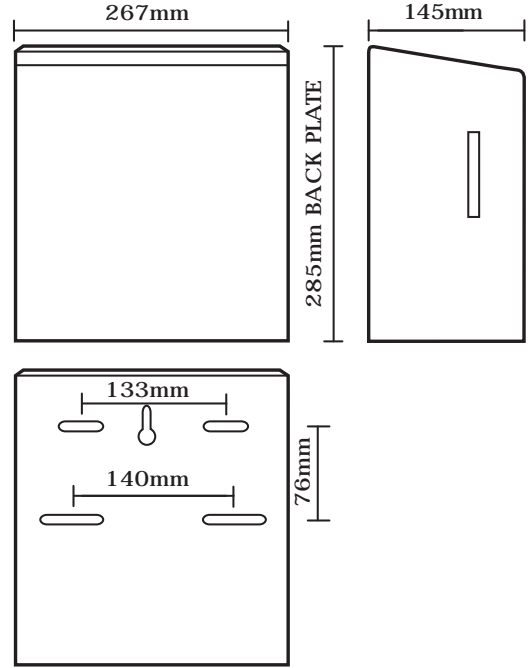


**Code: 4930** Interfold Toilet Tissue Dispenser



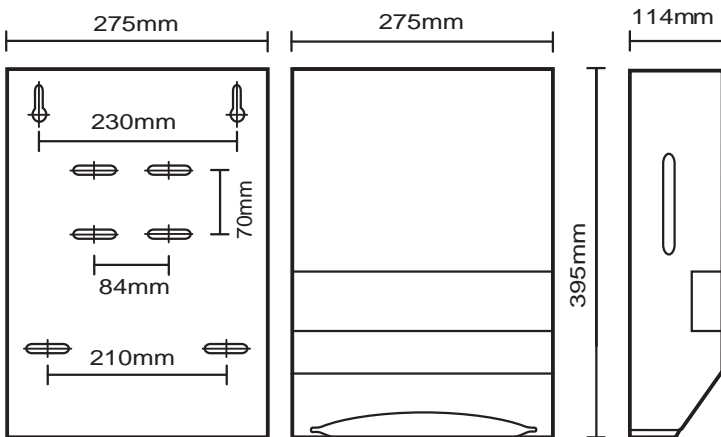
Suits COSTSAVER® code 4301.

**Code: 4943** Interfold Towel Dispenser



Suits COSTSAVER® code 4448.

**Code: 4938** Slimtowel Dispenser



Suits SCOTT® code 4452.