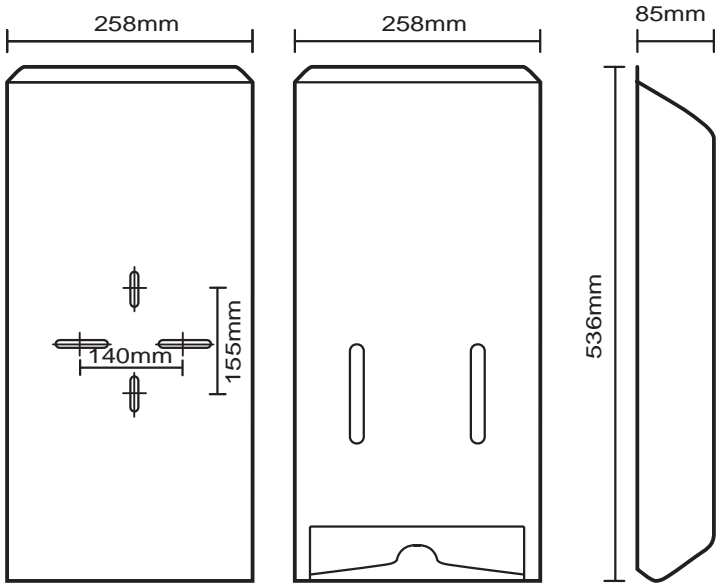
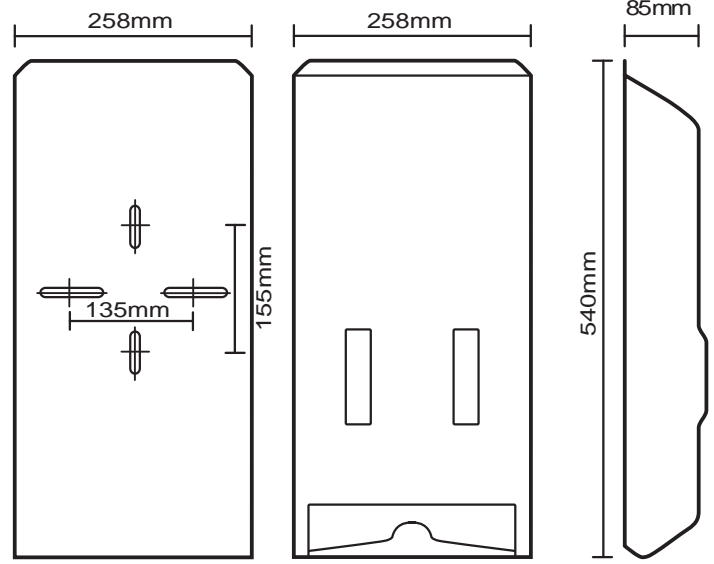


**Code: 4944** OptimumTowel Dispenser



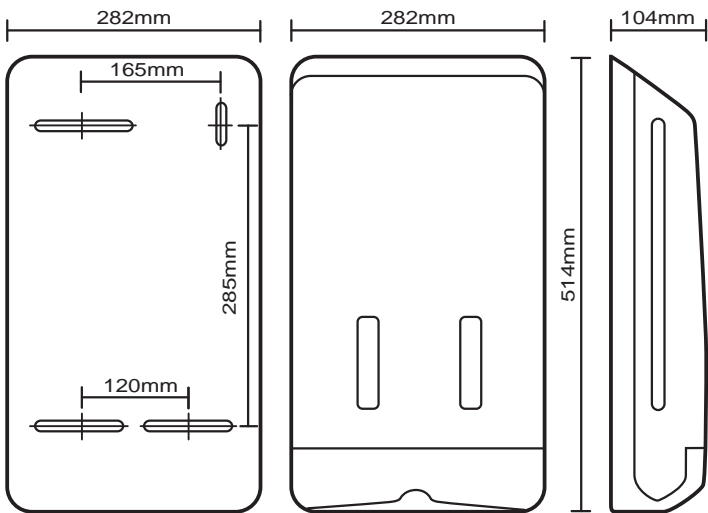
Suits SCOTT® codes 4438, 4439,  
COSTSAVER® code 4447.

**Code: 4950** OptimumTowel Dispenser



Suits SCOTT® codes 4438, 4439,  
COSTSAVER® code 4447.

**Code: 4959** Optimum Towel Dispenser



Suits SCOTT® codes 4438, 4439,  
COSTSAVER® code 4447.