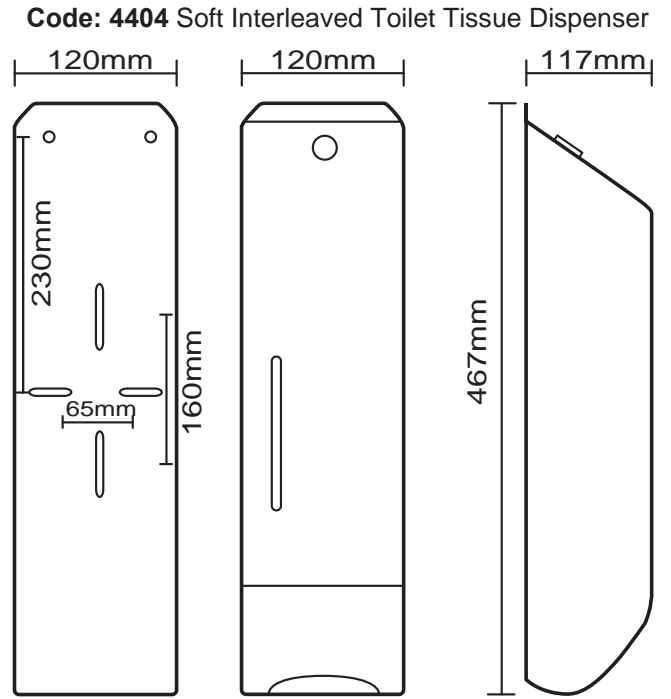
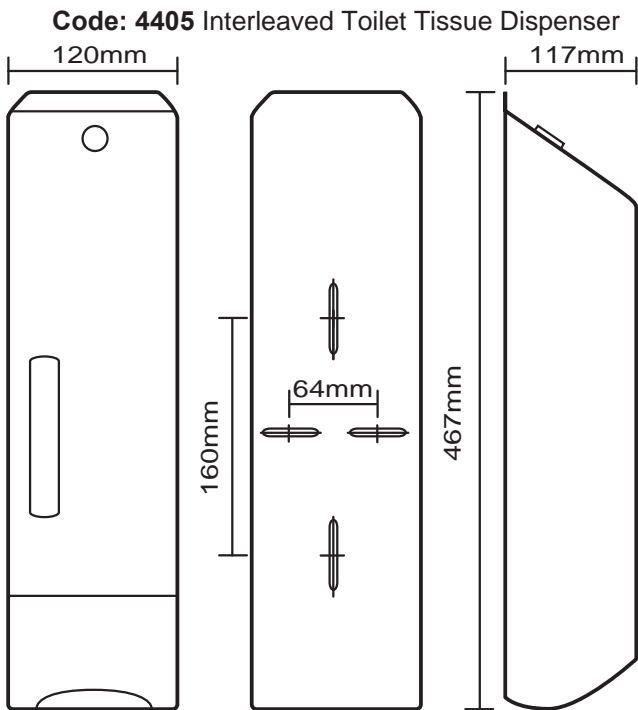


Suits KLEENEX® code 4322, SCOTT® code 4321.

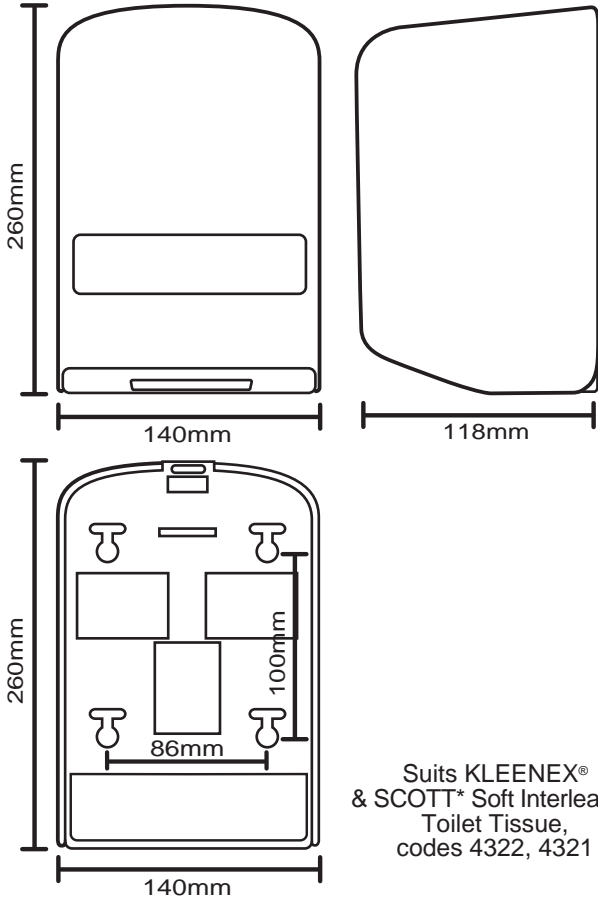


Suits KLEENEX® code 4322, SCOTT® code 4321.



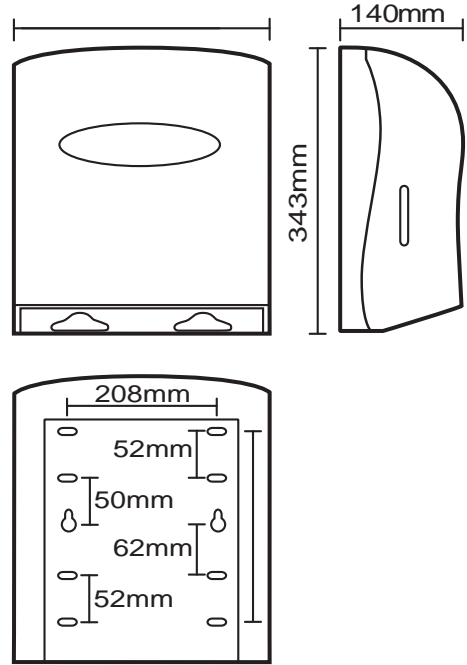
Suits KLEENEX® code 4322, SCOTT® code 4321.

Code: 8921 Windows Soft Interleaved Toilet Tissue Dispenser



Suits KLEENEX®
& SCOTT® Soft Interleaved
Toilet Tissue,
codes 4322, 4321

Code: 4437 Interleaved Toilet Tissue Dispenser



Suits KLEENEX® code 4322, SCOTT® code 4321.