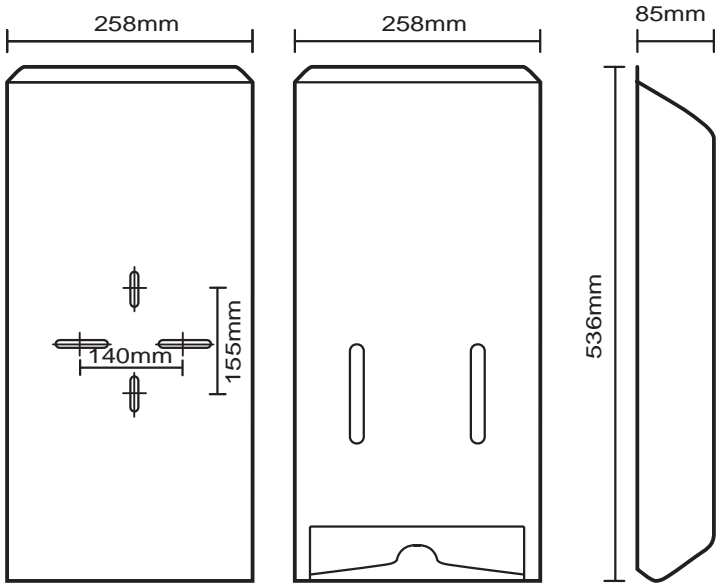
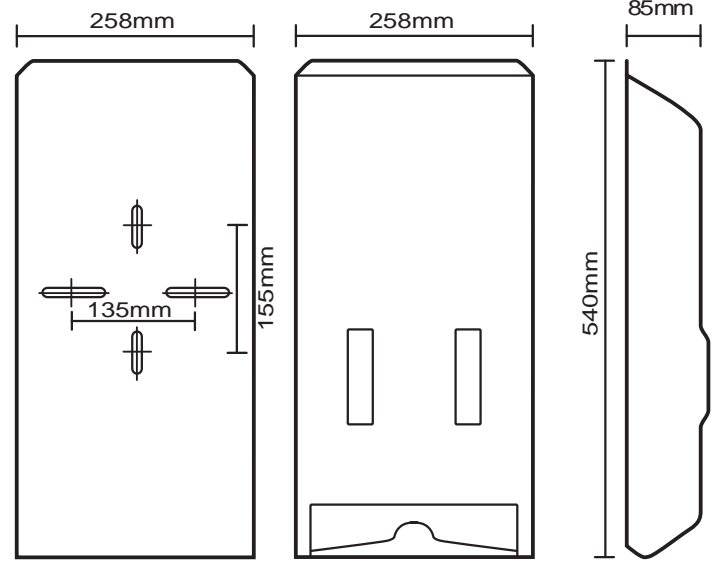


Code: 4944 InterleavedTowel Dispenser



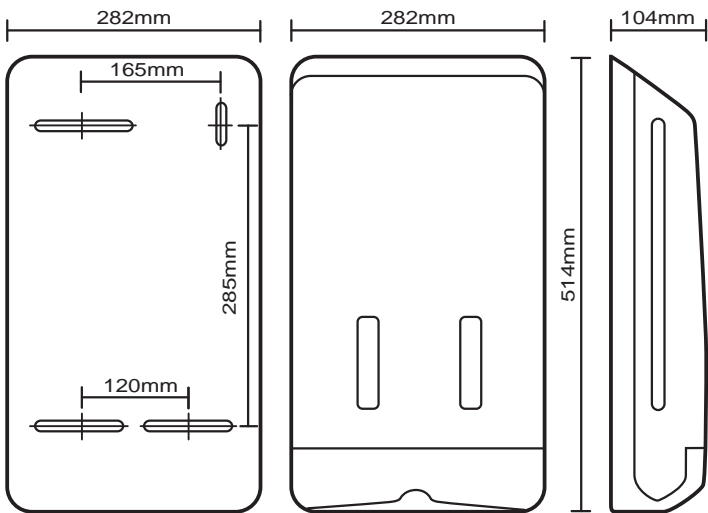
Suits SCOTT® codes 4455, 4456,
COSTSAVER® code 4457.

Code: 4950 InterleavedTowel Dispenser



Suits SCOTT® codes 4455, 4456,
COSTSAVER® code 4457.

Code: 4959 Interleaved Towel Dispenser



Suits SCOTT® codes 4455, 4456,
COSTSAVER® code 4457.