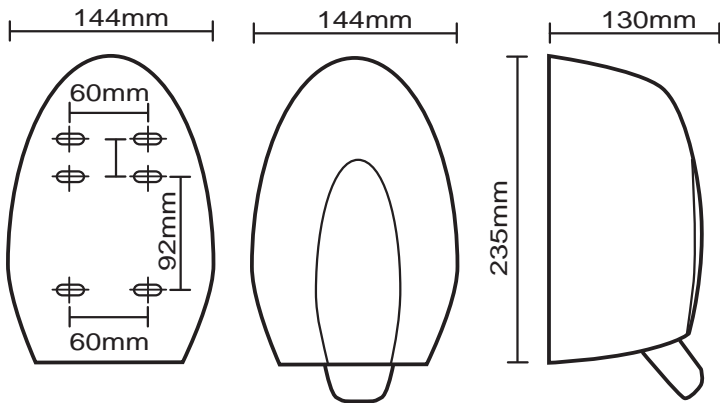
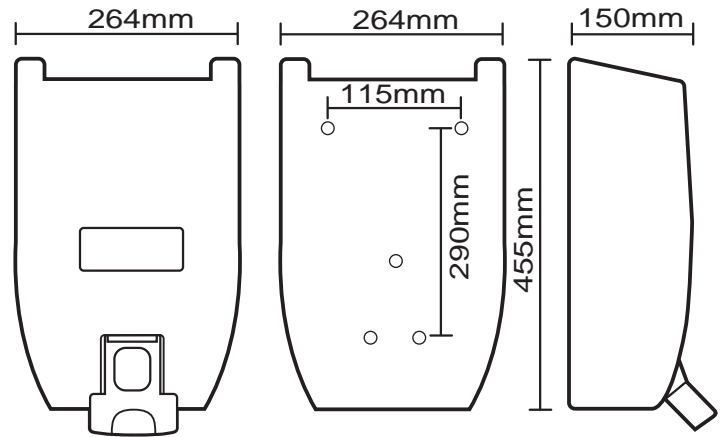


Code: 6340 Hand Cleanser Dispenser



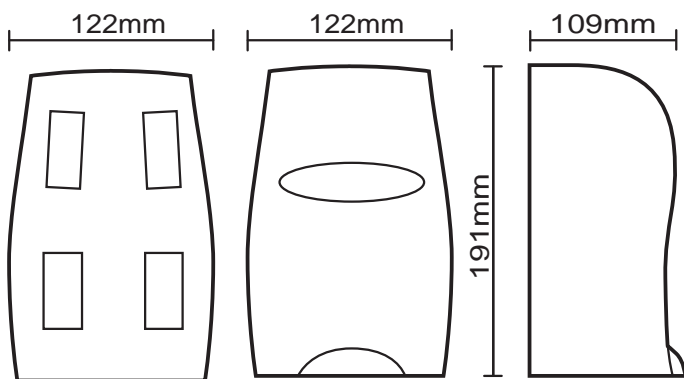
Suits AQUA* codes 6331, 6332, 6333, 6334.

Code: 4363 Push Dispenser



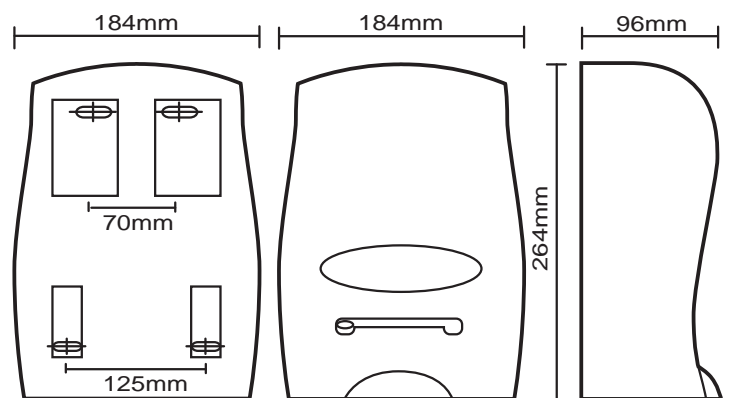
Suits KIMBERLY-CLARK® code 4353.

Code: 4360 WINDOWS® Mini 500 Dispenser



Suits codes 4350, 4351, 4355.

Code: 4361 WINDOWS® Twinpak Dispenser



Suits codes 4350, 4351, 4355.